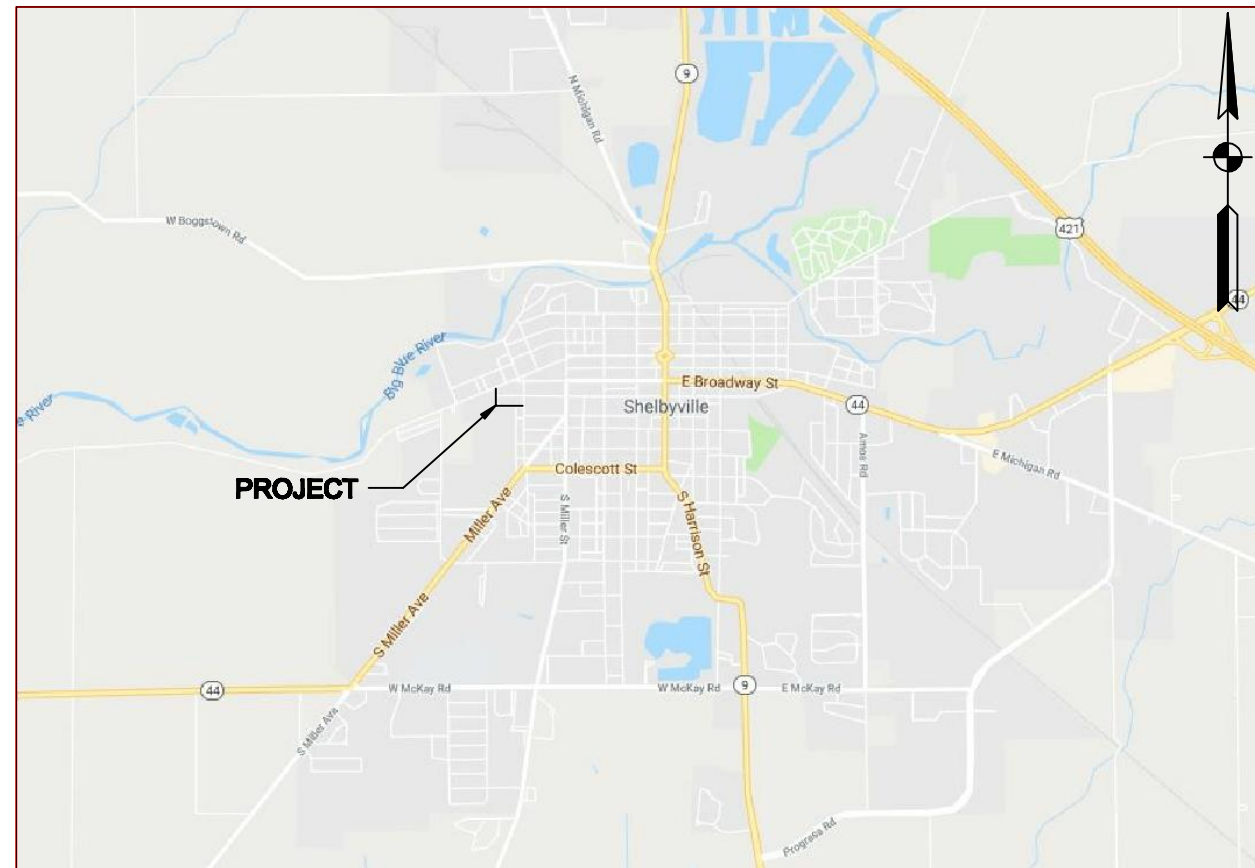


PROSPECT STREET AND HODELL STREET RECONSTRUCT CITY OF SHELBYVILLE

HOLEY MOLEY SAYS
"DON'T
DIG
BLIND"

"IT'S THE LAW"
CALL 2 WORKING DAYS BEFORE YOU DIG
1-800-382-5544
CALL TOLL FREE
PER INDIANA STATE LAW IC-8-1-26-1
ET SEQ. AS AMENDED AND SUPPLEMENTED,
IT IS AGAINST THE LAW TO EXCAVATE
WITHOUT NOTIFYING THE UNDERGROUND
LOCATION SERVICE TWO (2) WORKING
DAYS BEFORE COMMENCING WORK.



VICINITY MAP



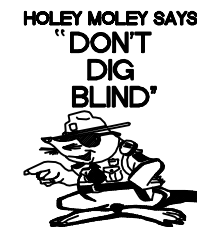
LOCATION MAP



CITY OF SHELBYVILLE, INDIANA
ENGINEERING DEPARTMENT
44 WEST WASHINGTON STREET
SHELBYVILLE, INDIANA 46176
PHONE (317) 398-5102
FAX (317) 392-5110
www.cityofshelbyville.in

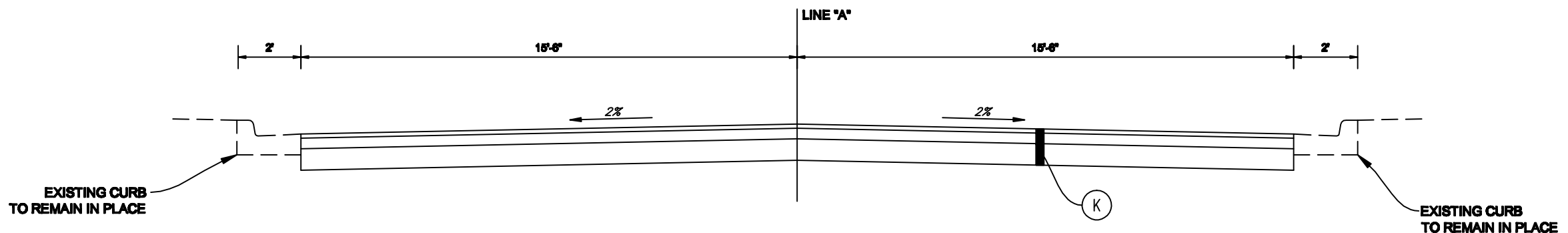
**CITY OF
SHELBYVILLE, INDIANA**
**PROSPECT AND HODELL
TYPICAL CROSS SECTIONS**

HORIZONTAL SCALE	
-	
VERTICAL SCALE	
-	
SHEET	
2	of 3
PROJECT	
19-005	

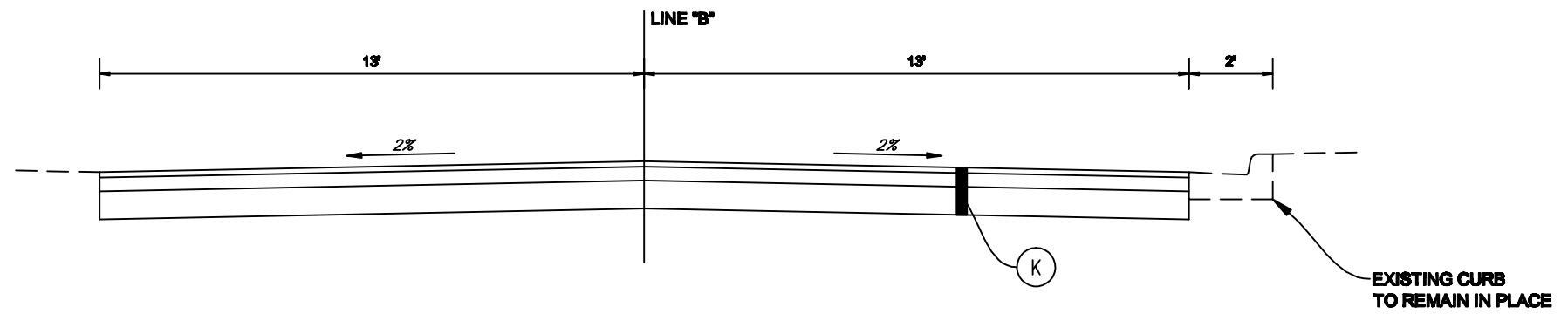


"IT'S THE LAW"
CALL 2 WORKING DAYS BEFORE YOU DIG
1-800-382-5544

CALL TOLL FREE
PER INDIANA STATE LAW IC-8-1-26-1
ET SEQ. AS AMENDED AND SUPPLEMENTED,
IT IS AGAINST THE LAW TO EXCAVATE
WITHOUT NOTIFYING THE UNDERGROUND
LOCATION SERVICE TWO (2) WORKING
DAYS BEFORE COMMENCING WORK.



TYPICAL CROSS SECTION
STA. 10+00 to STA 14+15 LINE "A"
Prospect St



TYPICAL CROSS SECTION
STA. 10+00 to STA 14+15 LINE "B"
Hodell St

LEGEND

- (K) HMA Pavement:
165 #/syd HMA Surface Type "B" on
440 #/syd HMA Intermediate Type "B" on
8" Compacted Aggregate Base, No. 53

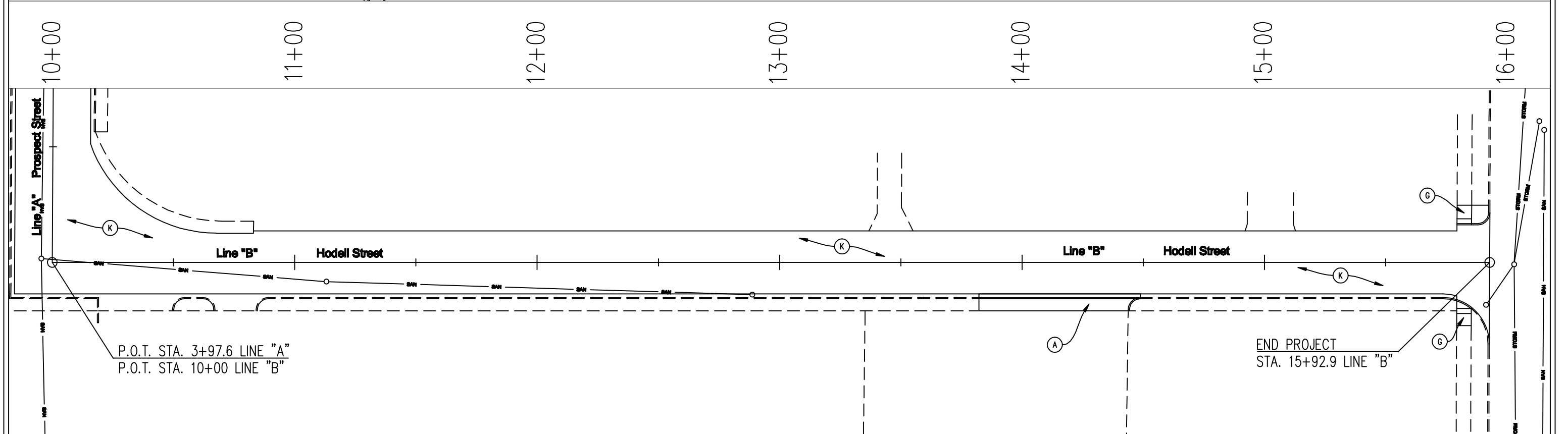
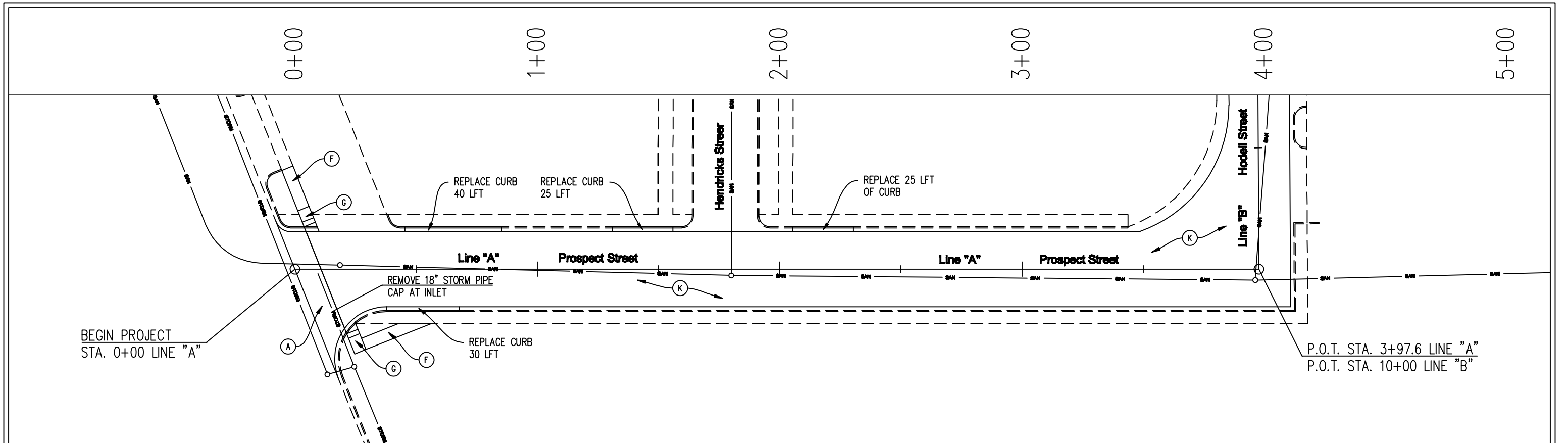


CITY OF SHELBYVILLE, INDIANA
ENGINEERING DEPARTMENT
44 WEST WASHINGTON STREET
SHELBYVILLE, INDIANA 46176
PHONE (317) 398-5102
FAX (317) 392-5110
www.cityofshelbyville.in

**CITY OF
SHELBYVILLE, INDIANA**

**PROSPECT AND HODELL
TYPICAL CROSS SECTIONS**

HORIZONTAL SCALE	
-	
VERTICAL SCALE	
-	
SHEET	
2	of 3
PROJECT	
19-005	



LEGEND

(A) PCCP Pavement:
12" PCCP Pavement on
4" Compacted Aggregate Base, No. 53

(F) 4" Concrete Sidewalk on
4" Compacted Aggregate Base, No. 53

(G) ADA Compliant Ramp

(K) HMA Pavement:
165 #/syd HMA Surface Type "B" on
440 #/syd HMA Intermediate Type "B" on
8" Compacted Aggregate Base, No. 53



CITY OF SHELBYVILLE, INDIANA
ENGINEERING DEPARTMENT
44 WEST WASHINGTON STREET
SHELBYVILLE, INDIANA 46176
PHONE (317) 398-5102
FAX (317) 392-5110
www.cityofshelbyvillein.com

**CITY OF
SHELBYVILLE, INDIANA**
**PROSPECT AND HODELL
PLAN VIEW**

HORIZONTAL SCALE
1"=40' (11x17)

VERTICAL SCALE
-

SHEET
3 of 3
PROJECT
19-005